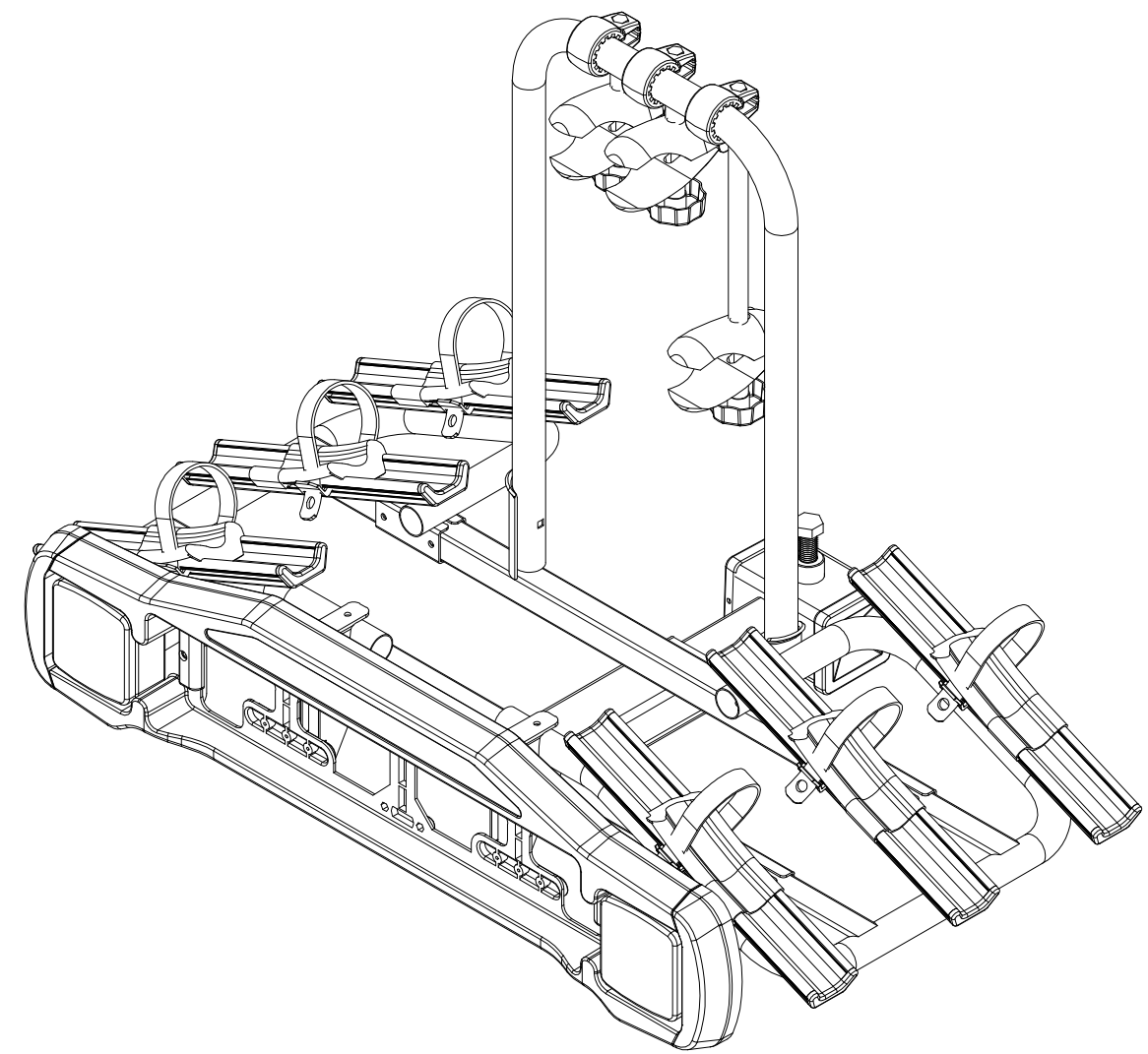
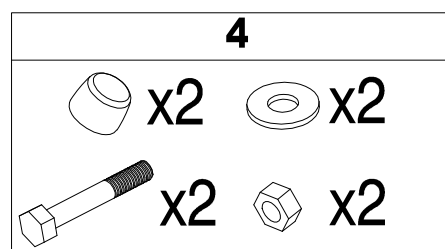
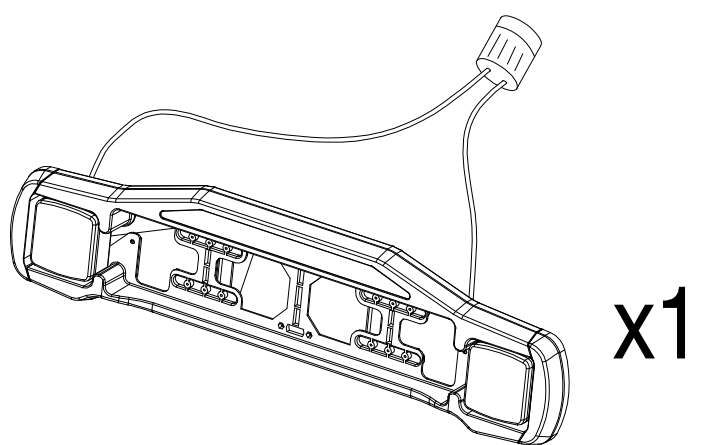
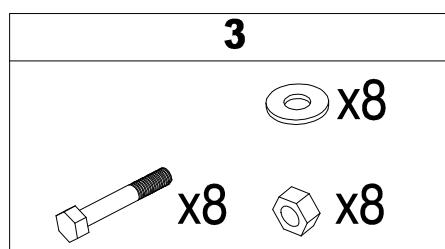
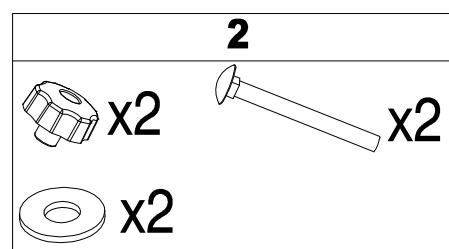
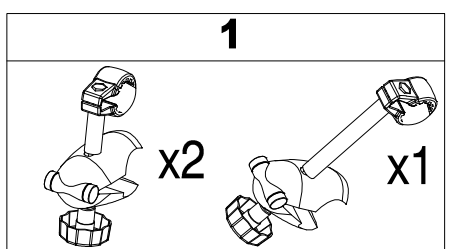
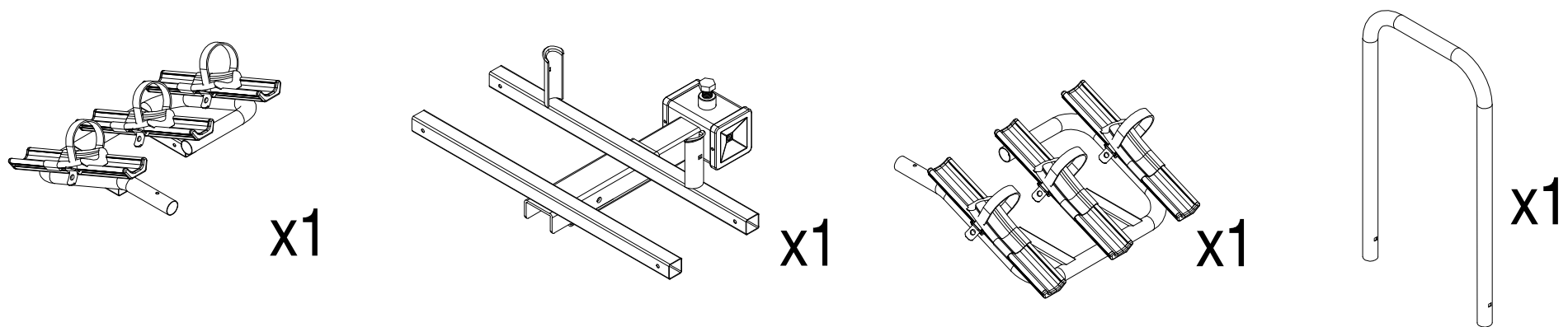
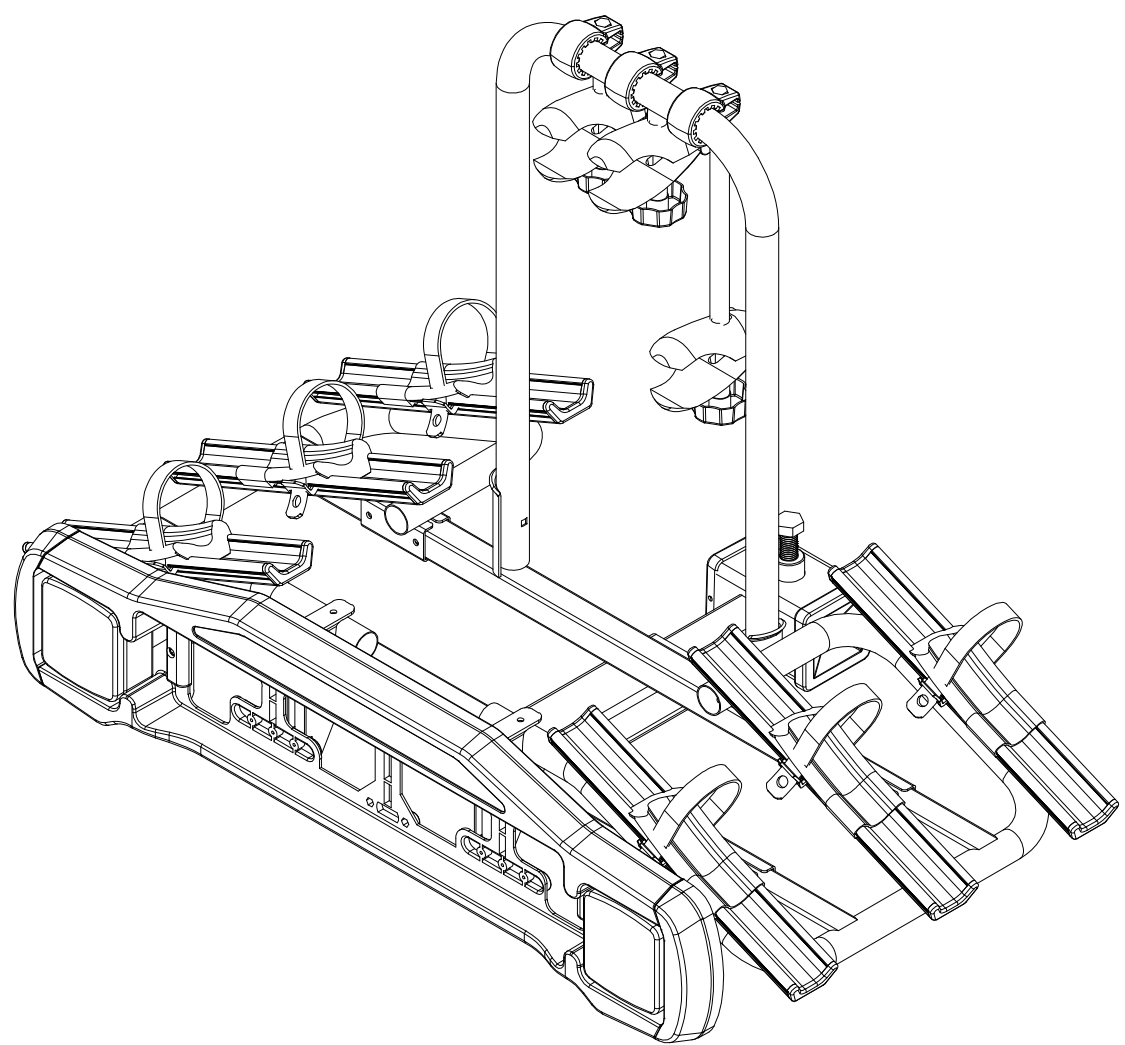


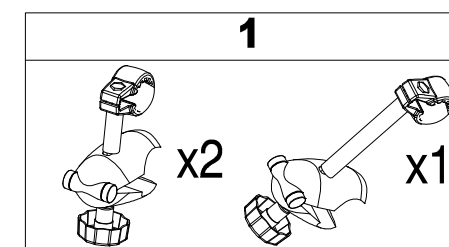
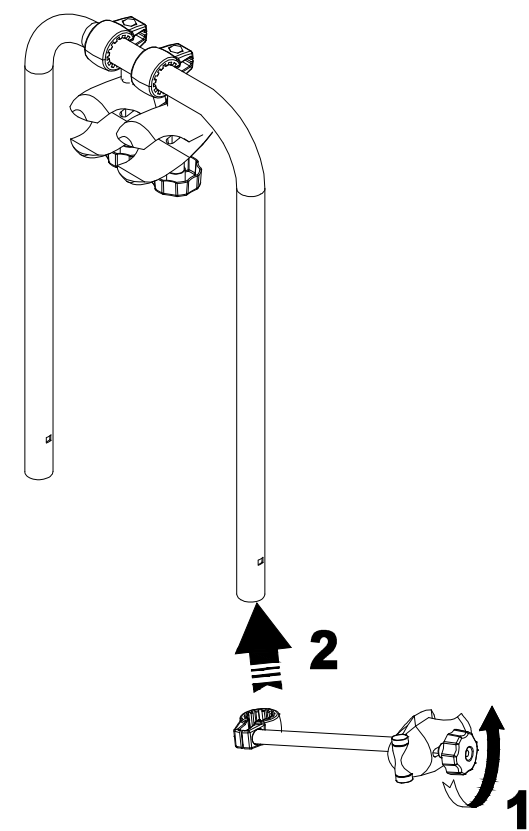
# TB005-D3



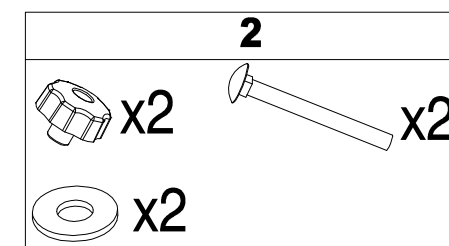
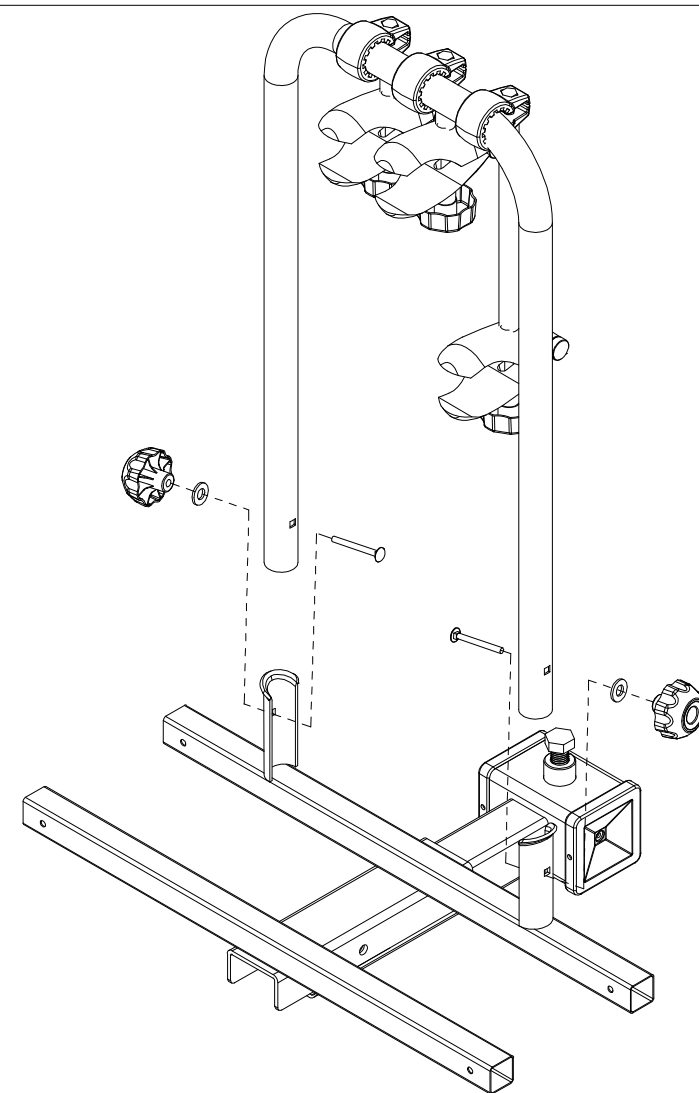


**1**

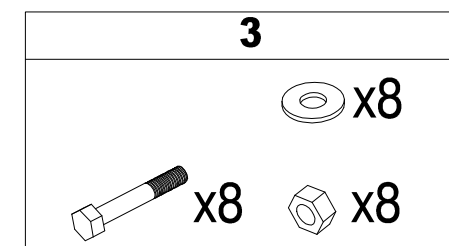
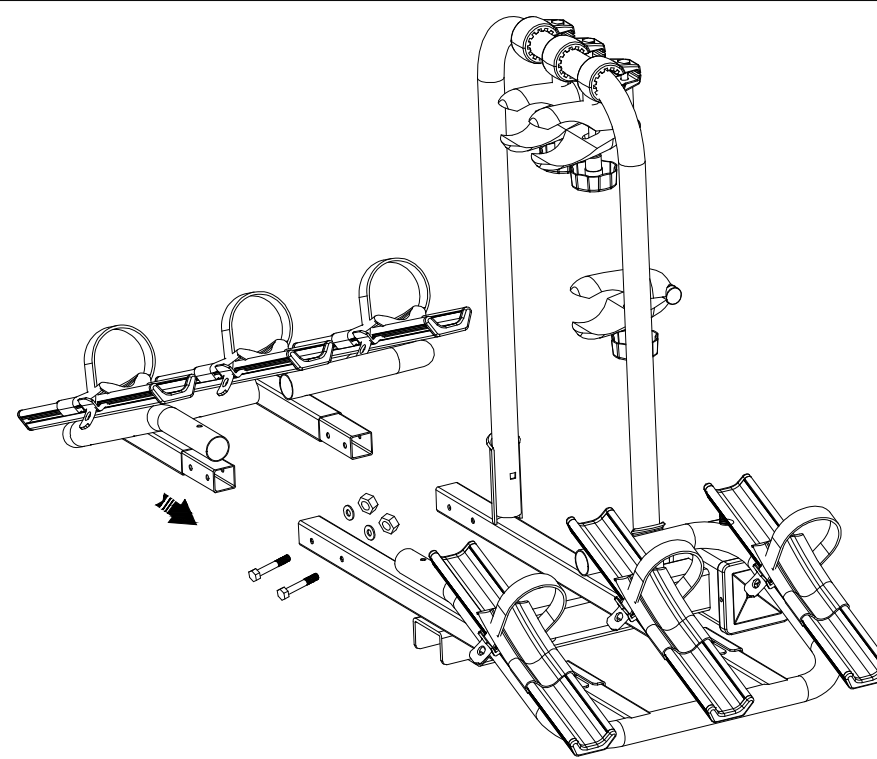
**1**



**2**



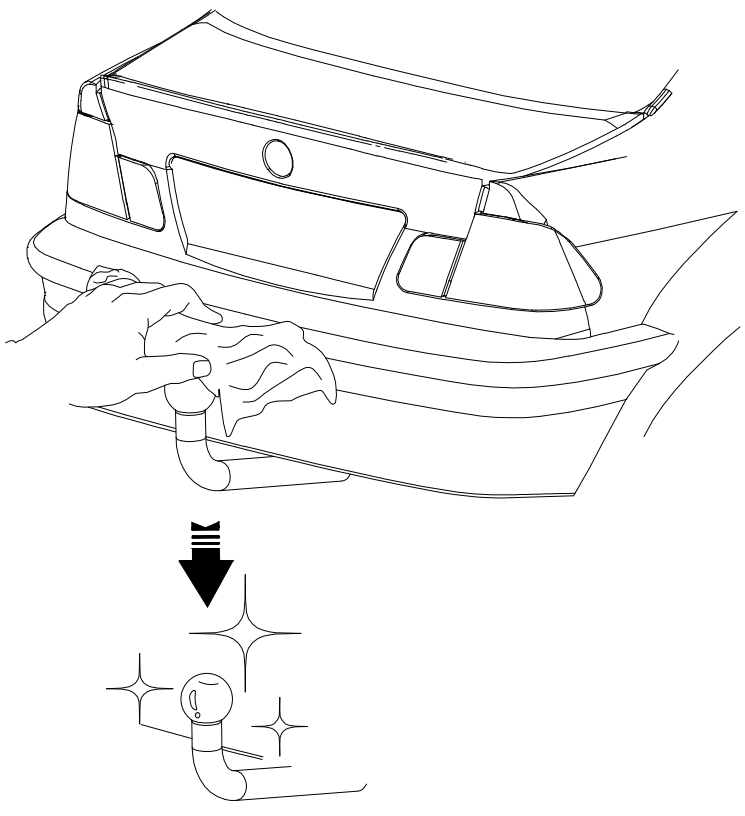
**3**



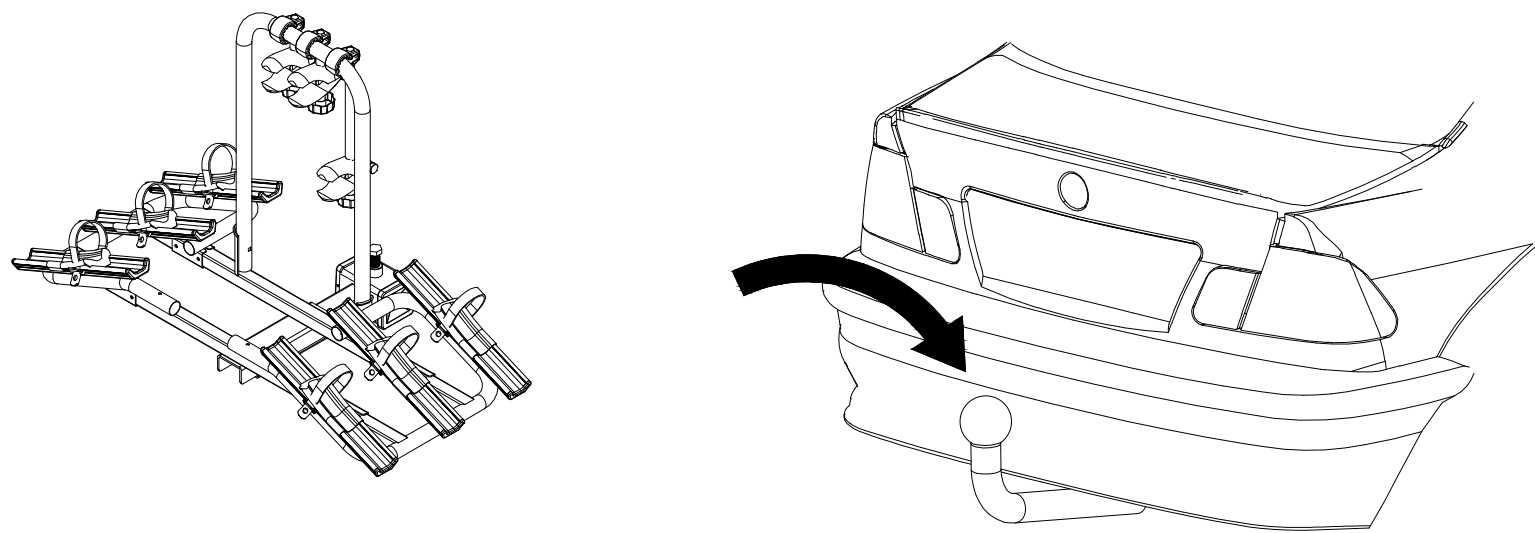
**2**

1

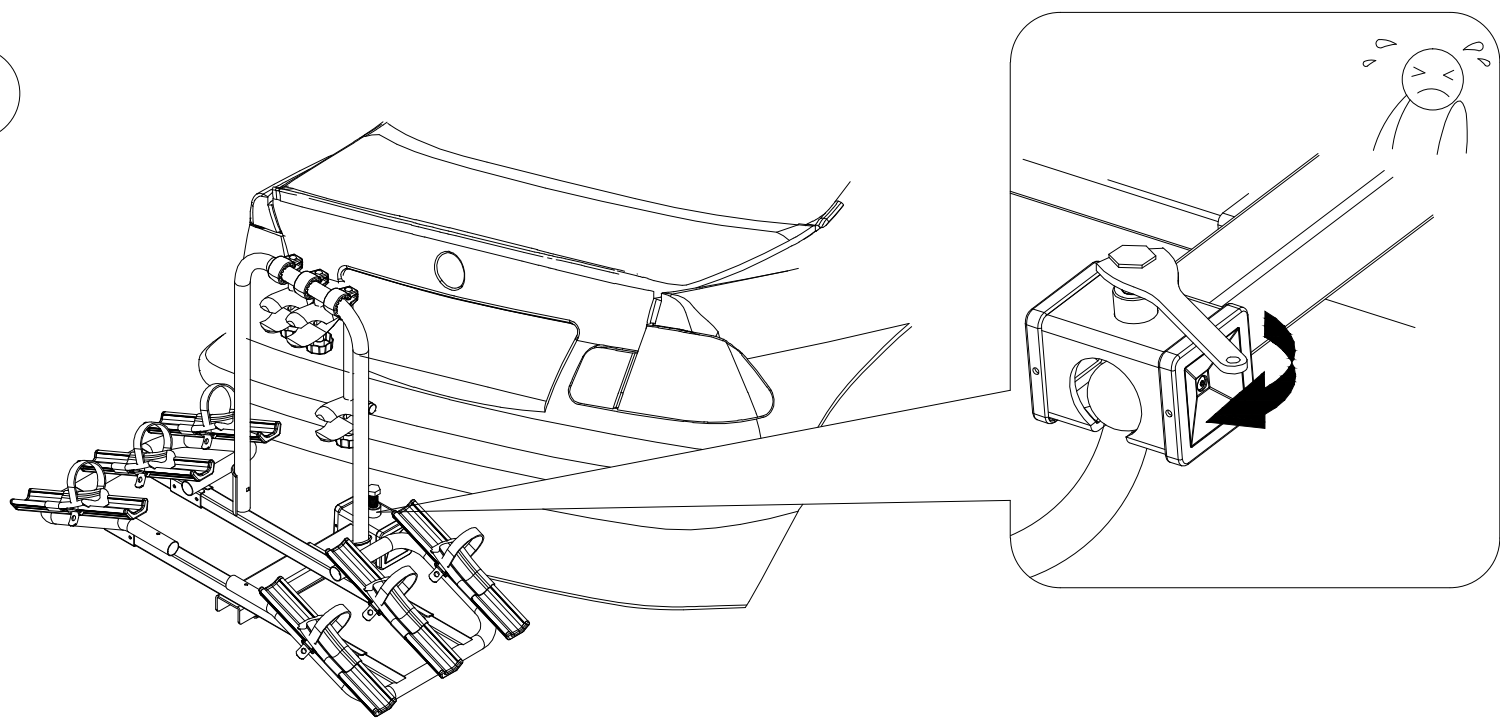
?



2

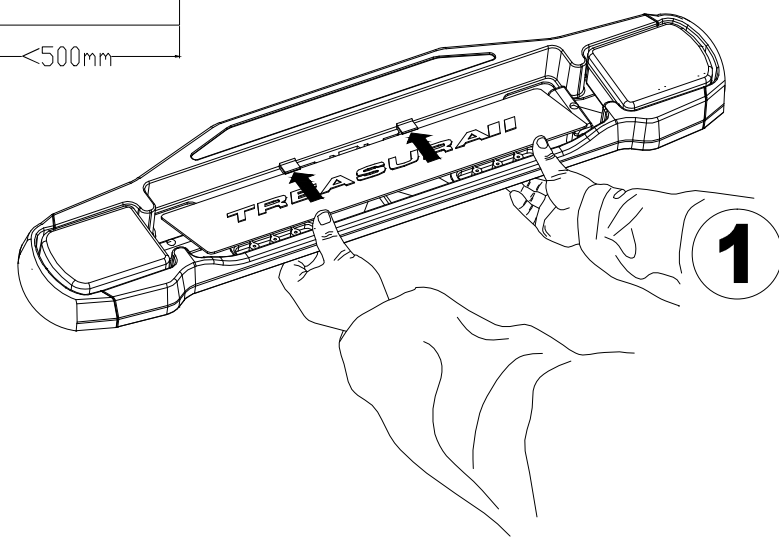


3

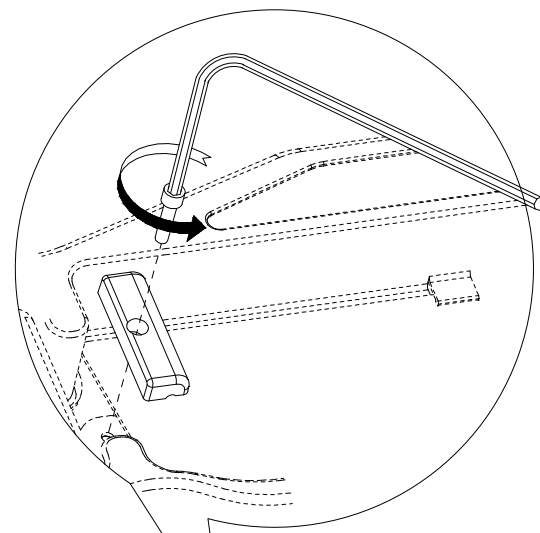


3

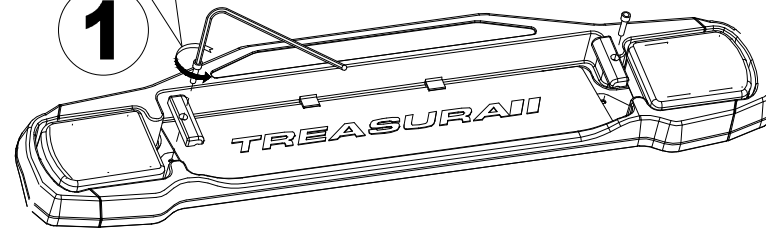
<500mm



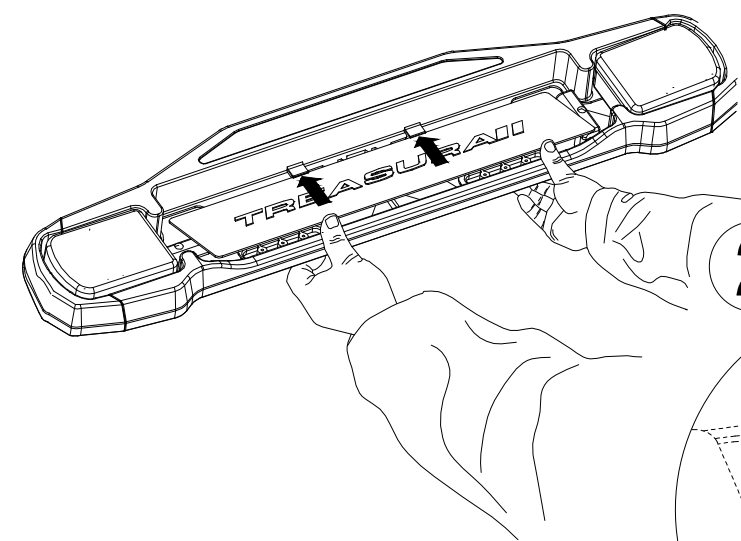
>500mm



1


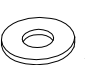
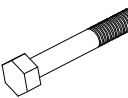



2

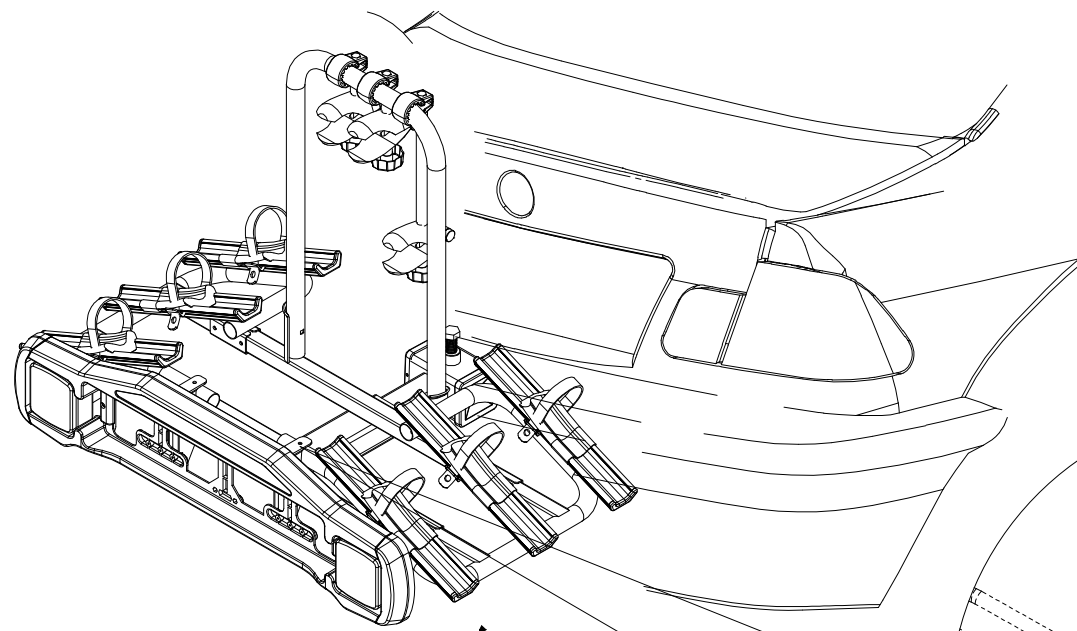


3

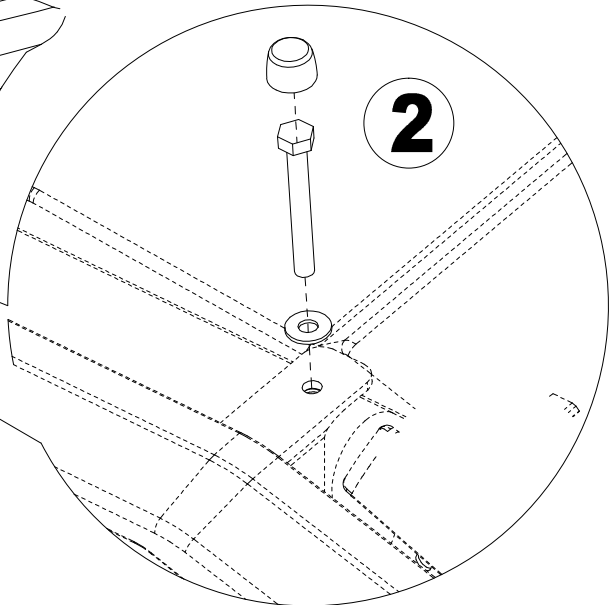


- 4
-  x2    x2
  -  x2    x2

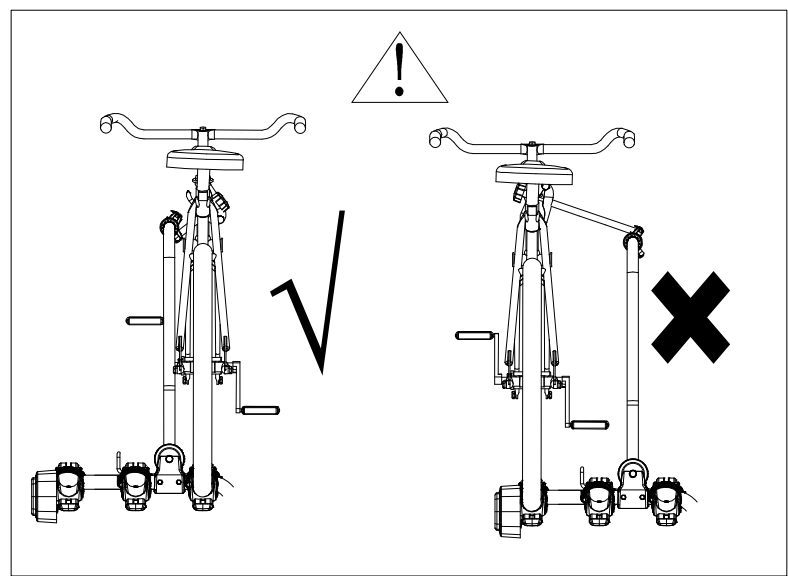
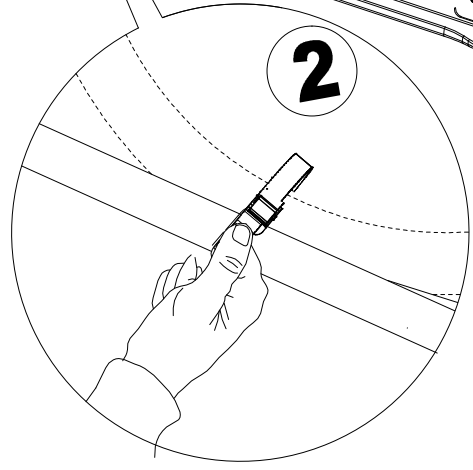
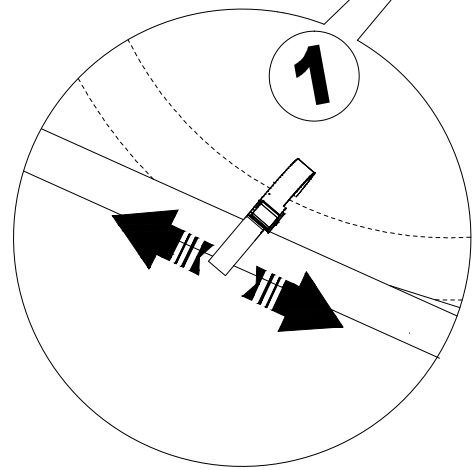
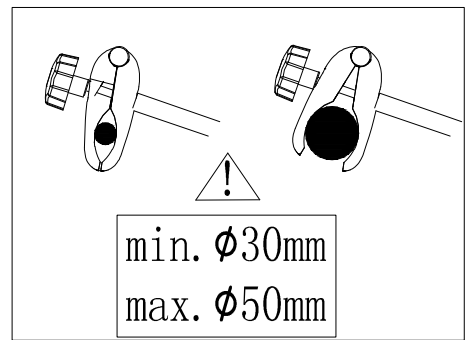
1






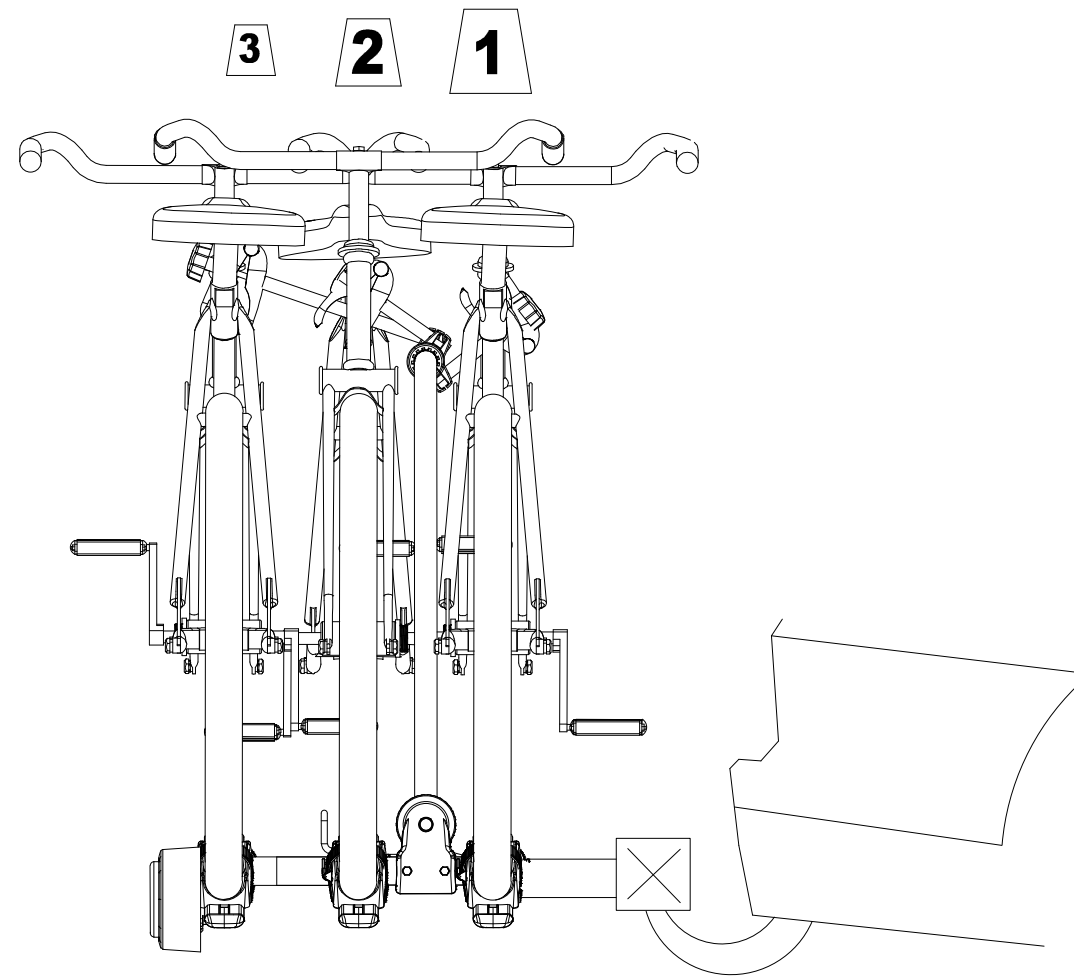
2



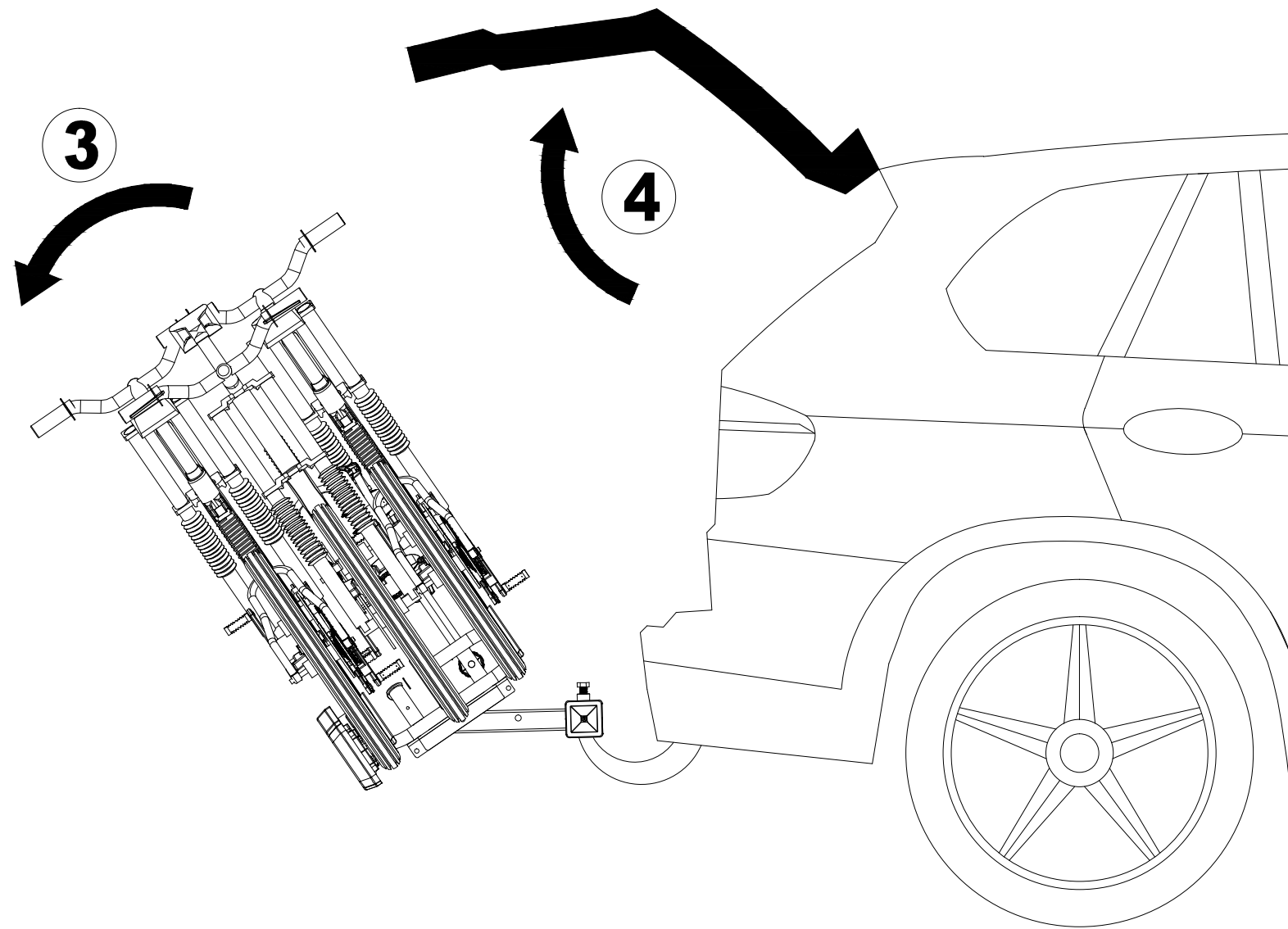
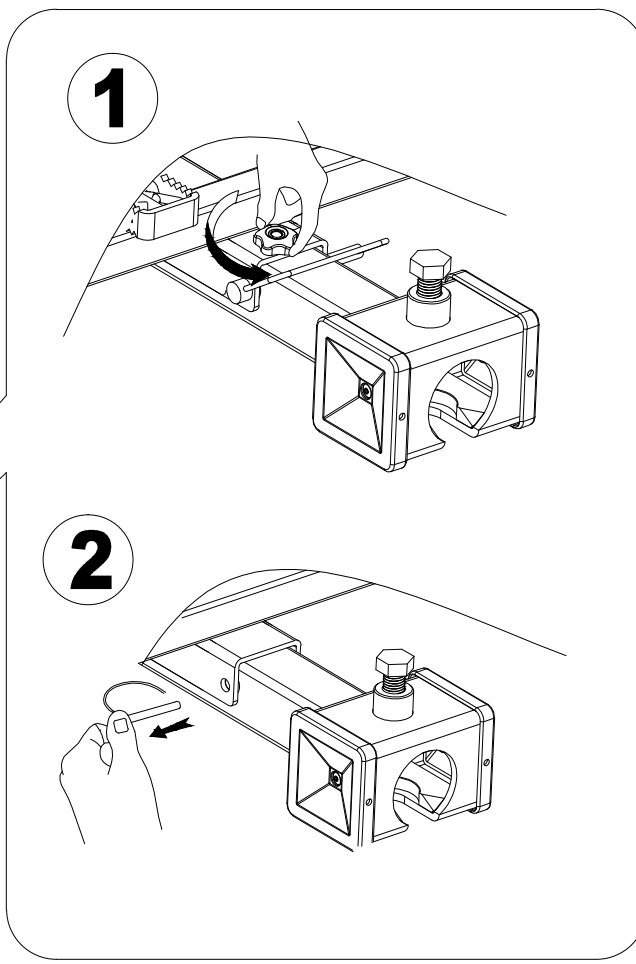
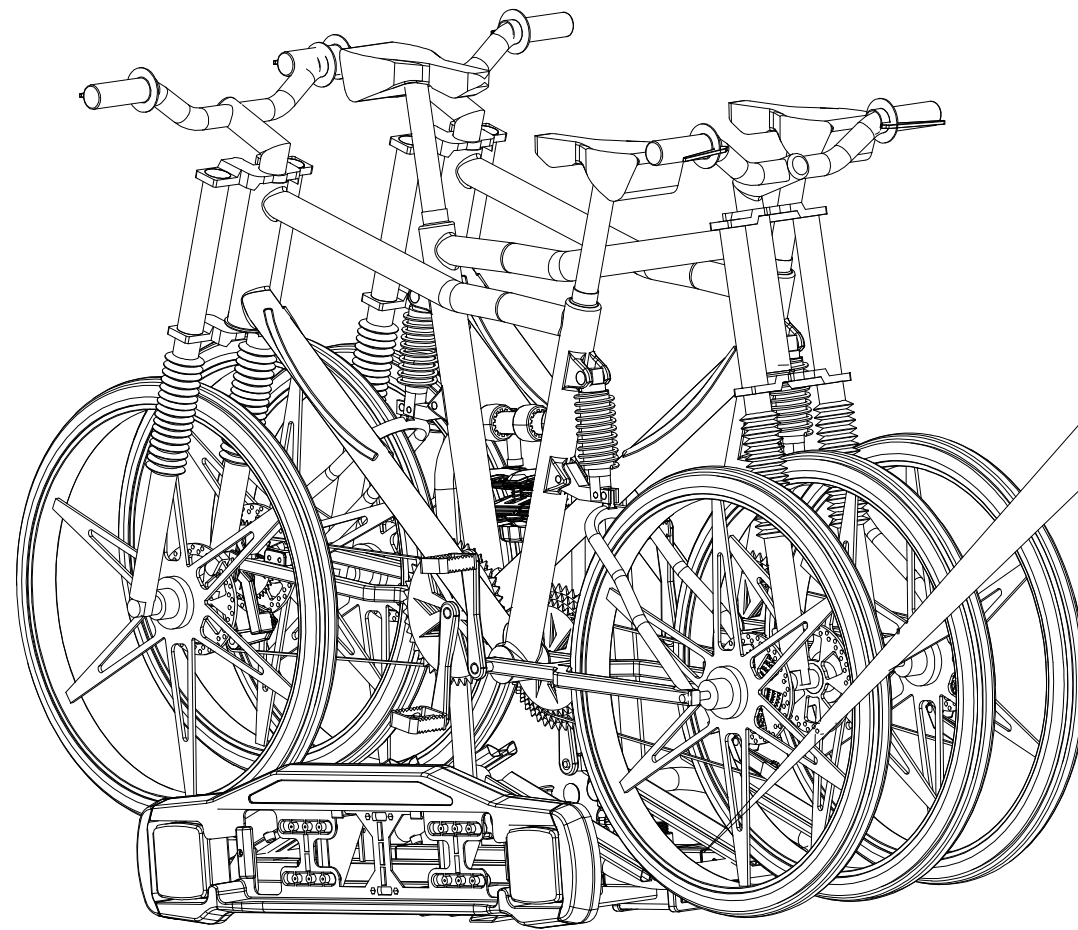
4



- 1**  =15kg MAX
- 2**  =15kg MAX
- 3**  =15kg MAX



**5**



**6**